

Product Environmental Profile

Wiremold® Two-Piece Small Single & Dual-Channel Aluminum Raceway Systems



LEGRAND'S ENVIRONMENTAL COMMITMENTS

• **Incorporate environmental management into our industrial sites**

Of all Legrand sites worldwide, over 85% are ISO 14001-certified (sites belonging to the Group for more than five years).

• **Offer our customers environmentally friendly solutions**

Develop innovative solutions to help our customers design more energy efficient, better managed and more environmentally friendly installations.


• **Involve the environment in product design and provide informations in compliance with ISO 14025**

Reduce the environmental impact of products over their whole life cycle.

Provide our customers with all relevant information (composition, consumption, end of life, etc.).



REFERENCE PRODUCT

Function	House and protect the wiring along 1 meter for a working life duration of 20 years. The installation trunking AL2000 Series raceway system with cross-section of 1683.0 mm ² includes the profil and accessories that are representative of standard use.		
Reference Product			
	Cat. No. AL2000B-10, AL2000C	Cat. No. AL2001, AL2011, AL2017, AL2010B	Cat. No. AL2446P-D
	Raceway	Fittings	Cover Plates
Two-piece Aluminum Single-Channel raceway system 2" X 1 9/32"			



The company reserves the right to change specifications and designs without notice. All illustrations, descriptions, dimensions and weights in the document are for guidance and cannot be held binding on the company.

PRODUCTS CONCERNED

The environmental data is representative of the following products : The Wiremold AL2000®, AL2400®, and AL3300® raceway systems as presented in the Wire & Cable management catalog.

Product Environmental Profile

Wiremold® Two-Piece Small Single & Dual-Channel Aluminum Raceway Systems



■ CONSTITUENT MATERIALS

This Reference Product contains no substances prohibited by the regulations applicable at the time of its introduction to the market. It respects the restrictions on use of hazardous substances as defined in the RoHS directive 2011/65/CE.

Total weight of Reference Product		2.01 lbs (with unit packaging)			
Plastics as % of weight		Metals as % of weight		Other as % of weight	
PVC	0.1 %	Aluminum	90.4 %		
		Steel	0.2 %		
				Packaging as % of weight	
				Paper	8.7 %
				PE	0.6 %
				Wood	<0.1 %
Total plastics	0.1 %	Total metals	90.6 %	Total other and packaging	9.3 %

Estimated recycled material content: 51 % by mass.



■ MANUFACTURE

This Reference Product comes from sites that have received ISO14001 certification.



■ DISTRIBUTION

Products are distributed from logistics centers located to optimize transport efficiency using EPA SmartWay® certified carriers to reduce greenhouse gases emissions. The Reference Product is therefore transported over an average distance of 1648 miles by truck from our warehouse to the local point of distribution into the market in North America.



■ INSTALLATION

For the installation of the product, only standard tools are needed.



■ USE

■ Servicing and maintenance :

Under normal conditions of use, this product requires no servicing or maintenance.

■ Consumables :

No consumables are necessary to use the Reference Product.



■ END OF LIFE

Development teams integrate product end-of-life factors in the design phase.

■ Hazardous waste* contained in the product: no hazardous waste

(* Hazardous waste as defined by European Commission decision 2000/532/EC.

■ Recycling rate:

Calculated using the method described in the IEC/TR 62635 technical report, the recyclability rate of the product is estimated as 99.4 %. This value is based on data collected from a technological channel using industrial procedures. It does not pre-validate the effective use of this channel for end-of-life electrical and electronic products.

Separated into:

- plastic materials (excluding packaging) : 0.1 %
- metal materials (excluding packaging) : 90.6 %
- packaging (all types of materials) : 8.7 %

Product Environmental Profile

Wiremold® Two-Piece Small Single & Dual-Channel Aluminum Raceway Systems



ENVIRONMENTAL IMPACTS

The evaluation of environmental impacts examines the stages of the Reference Product life cycle: manufacturing, distribution, installation, use and end-of-life. It is representative from products marketed and used in North America.

For each phase, the following modelling elements were taken in account:

Manufacture	Packaging taken into account. As required by the «PEP ecopassport» programme all transports for the manufacturing of the Reference Product, including materials and components, has been taken in account. The waste generated during manufacturing phase has been taken into account.
Distribution	Transport between the last Group distribution centre and an average delivery to the sales area
Installation	The end-of-life of the packaging is taken into account at this phase
Use	<ul style="list-style-type: none"> • Under normal conditions of use, this type of product requires no servicing or maintenance. • No consumables are necessary to use this type of product. • Product category: Cable Management, trunking system. • Use scenario : no energy consumption during the 20 years working life. This modelling duration does not constitute a minimum durability requirement. • Energy model: Electricity Mix; United States - 2009.
End of life	The default end of life scenario maximizing the environmental impacts
Software and database used	EIME V5 and its database «CODDE-2015-04» and the indicators defined in the PCR ed3 in alignment with the EN 15804 standard.



SELECTION OF ENVIRONMENTAL IMPACTS

	Total for Life cycle		Raw material and manufacture		Distribution		Installation		Use		End of life	
	Value	Unit	Value	%	Value	%	Value	%	Value	%	Value	%
Global warming	6.76E+00	kgCO2 eq.	6.54E+00	97%	1.59E-01	2%	1.41E-02	< 1%	0.00E+00	0%	5.35E-02	< 1%
Ozone depletion	1.71E-06	kgCFC-11 eq.	1.71E-06	100%	3.23E-10	< 1%	8.34E-11	< 1%	0.00E+00	0%	3.45E-10	< 1%
Acidification of soils and water	4.12E-02	kgSO2 eq.	4.03E-02	98%	7.16E-04	2%	3.42E-05	< 1%	0.00E+00	0%	2.26E-04	< 1%
Water eutrophication	3.07E-03	kg(P04)3- eq.	2.49E-03	81%	1.64E-04	5%	3.88E-05	1%	0.00E+00	0%	3.78E-04	12%
Photochemical ozone formation	2.11E-03	kgC2H4 eq.	2.04E-03	97%	5.09E-05	2%	2.29E-06	< 1%	0.00E+00	0%	1.70E-05	< 1%
Depletion of abiotic resources - elements	8.89E-07	kgSb eq.	8.80E-07	99%	6.37E-09	< 1%	3.03E-10	< 1%	0.00E+00	0%	2.25E-09	< 1%
Total use of primary energy	1.01E+02	MJ	9.79E+01	97%	2.14E+00	2%	8.50E-02	< 1%	0.00E+00	0%	6.39E-01	< 1%
Net use of fresh water	3.41E-02	m ³	3.40E-02	100%	1.43E-05	< 1%	1.81E-05	< 1%	0.00E+00	0%	1.37E-05	< 1%
Depletion of abiotic resources - fossil fuels	8.43E+01	MJ	8.12E+01	96%	2.24E+00	3%	9.22E-02	< 1%	0.00E+00	0%	7.03E-01	< 1%
Water pollution	5.19E+02	m ³	4.83E+02	93%	2.62E+01	5%	2.19E+00	< 1%	0.00E+00	0%	7.63E+00	1%
Air pollution	6.51E+02	m ³	6.41E+02	98%	6.53E+00	1%	8.60E-01	< 1%	0.00E+00	0%	3.03E+00	< 1%

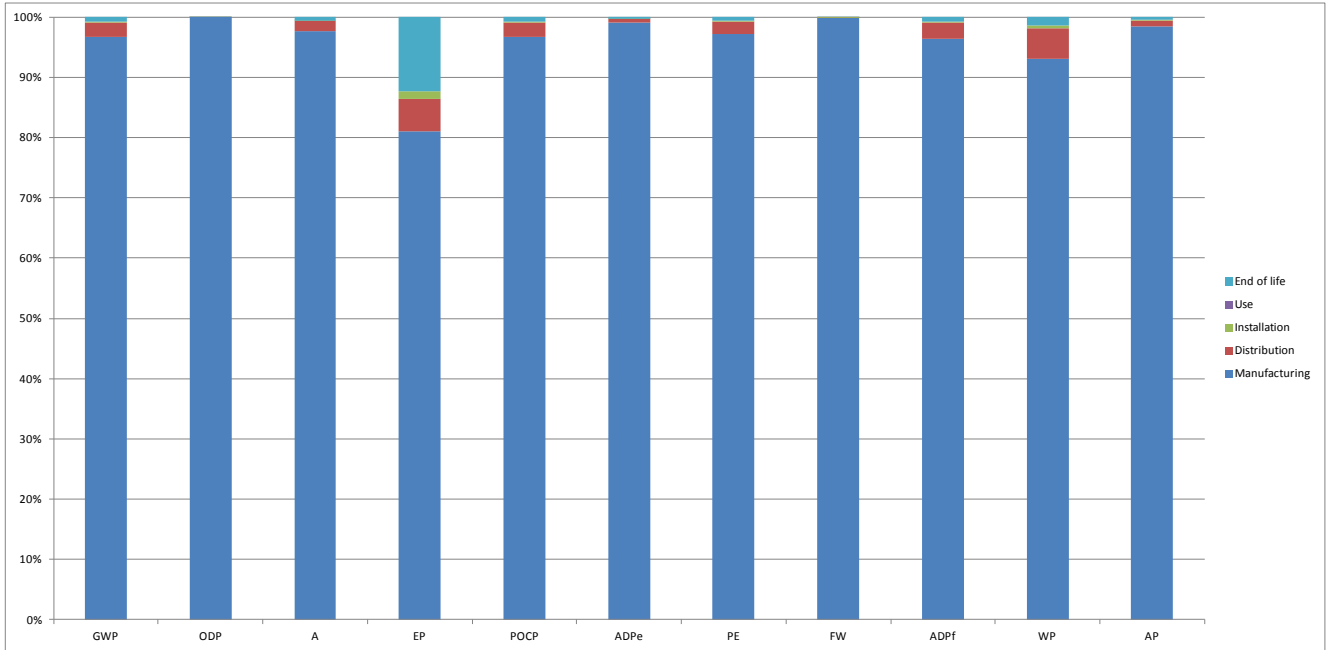
The values of the 27 impacts defined in the PCR-ed3-EN-2015 04 02 are available in the digital database of pep-ecopassport.org website.

Product Environmental Profile

Wiremold® Two-Piece Small Single & Dual-Channel Aluminum Raceway Systems



% ENVIRONMENTAL IMPACT PER LIFE CYCLE STAGE OF REFERENCE PRODUCT



For products covered by the PEP other than the Reference product, the environmental impacts of each phase of the lifecycle are calculated with :

	AL2000	AL2400	AL3300
CORRECTION FACTOR OVERALL	1.00	0.97	1.57

Registration N°: LGRP-00293-V01.01-EN	Drafting rules: PEP-PCR-ed3-EN-2015 04 02 Supplemented by PSR-0003-ed1.1-EN-2015 10 16
Verifier accreditation N°: VH02	Information and reference documents : www.pep-ecopassport.org
Date of issue: 01-2017	Validity period: 5 years
Independent verification of the declaration and data, in compliance with ISO 14025:2010 Internal <input checked="" type="checkbox"/> External <input type="checkbox"/>	
The PCR review was conducted by a panel of experts chaired by Philippe Osset (SOLINNEN)	
The elements of the present PEP cannot be compared with elements from another program	
Document in compliance with ISO 14025 : 2010: «Environmental labels and declarations. Type III environmental declarations»	
Environmental data in alignment with EN 15804 : 2012 + A1 : 2013	

