



Wiremold

# CRFB Series Floor Box INSTALLATION INSTRUCTIONS

Installation Instruction No.: 1 009 621 - September 2010

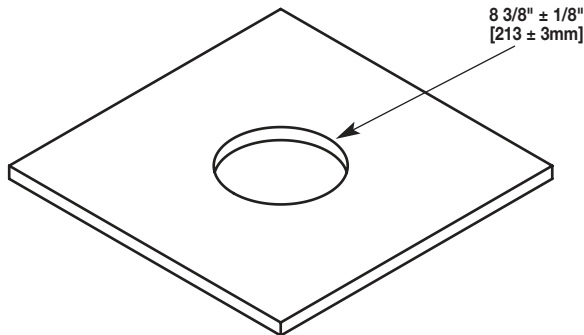
Legrand/Wiremold electrical systems conform to and should be properly grounded in compliance with requirements of the current National Electrical Code or codes administered by local authorities.

All electrical products may present a possible shock or fire hazard if improperly installed or used. Legrand/Wiremold electrical products may bear the mark of a Nationally Recognized Testing Laboratory (NRTL) and should be installed in conformance with current local and/or the National Electrical Code.

**IMPORTANT: Please read all instructions before beginning.**

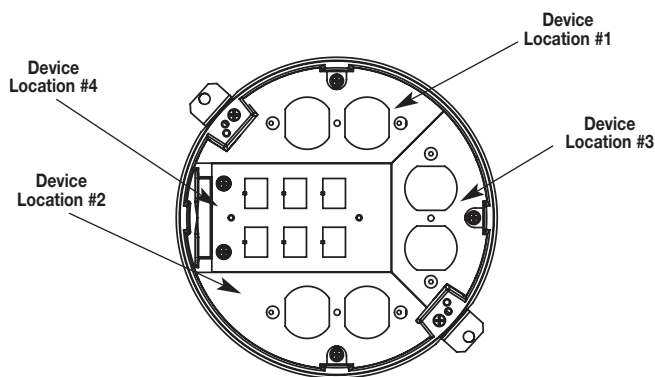
**PRODUCTS COVERED: CRFB4, CRFBBTC, CRFBCTC, CRFB-X-1, CRFB-X-2, CRFB-X-3 AND CRFB-X-4. Also 8ATC and 8CT Covers when installed on CRFB Series Floor Boxes.**

1. Prior to installation, an  $8\text{-}3/8 \pm 1/8$  in. [ $213 \pm 3$  mm] diameter hole must be cut or preformed into the raised floor panel or wood floor. If knockouts on sides of box are to be used, proceed to steps 4 and 5. Pull cable and conduit through opening prior to termination.

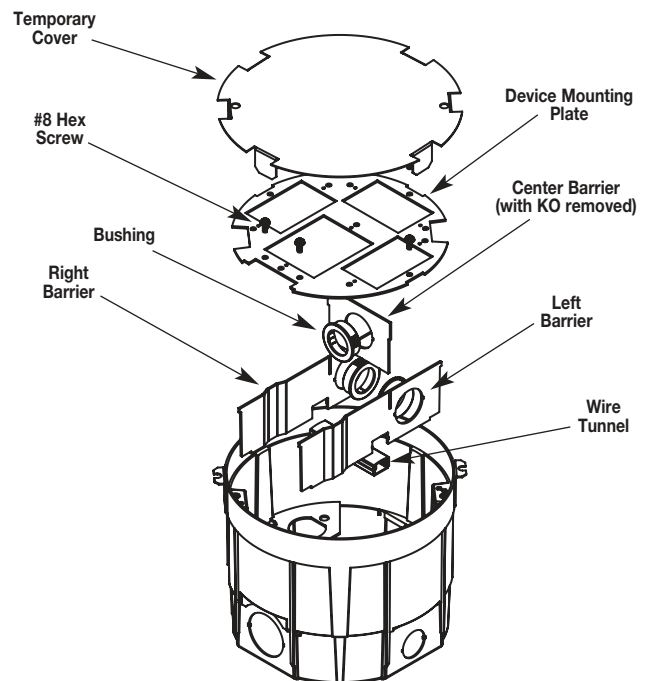


**NOTE:** Floor thickness range (including floor covering  $3/8$ " -  $2$ " [ $9.5$ mm -  $51$ mm]).

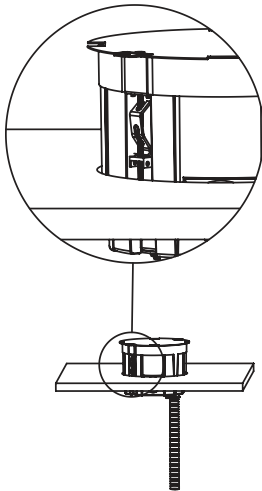
3. Attach flexible conduit and fittings to the steel box body. Terminate wiring devices in compliance with the NEC and local codes. Cover each compartment with the Device Plate that matches both the Location and Type of Device used.



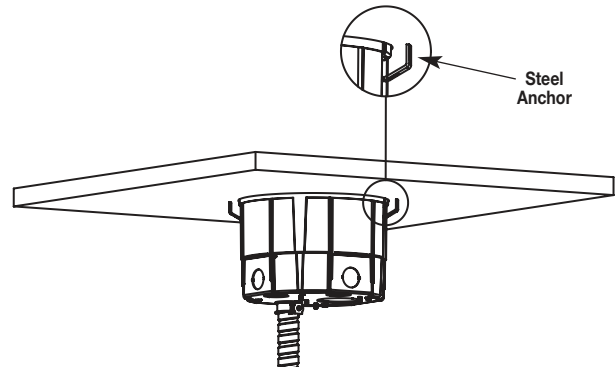
2. If necessary, use bushing(s) and wire tunnel to facilitate wire and cable routing. Remove the temporary cover and the (5) #8 hex screws securing the device mounting plate and lift it out of the box, exposing the internal barriers. Remove necessary knockouts and twistouts between compartments to allow desired wiring layout. Replace the internal barriers and reinstall the device mounting plate back in its original orientation.



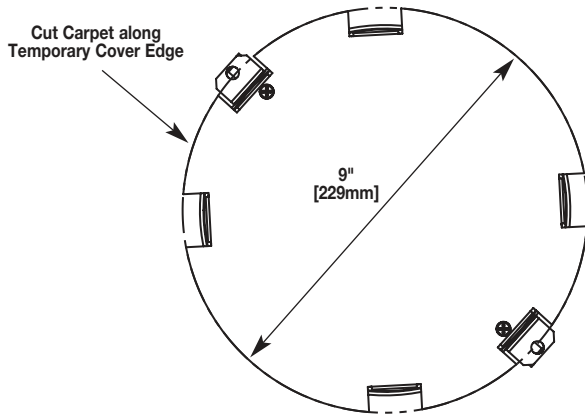
4. Flip locking anchor up and lower box into opening.



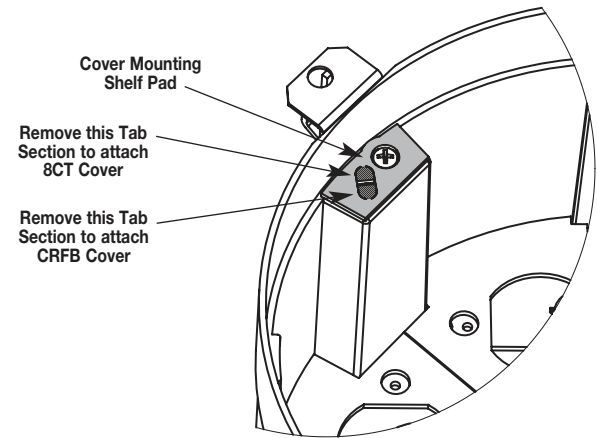
5. Tighten mounting screw until steel anchor is adjusted securely below floor.



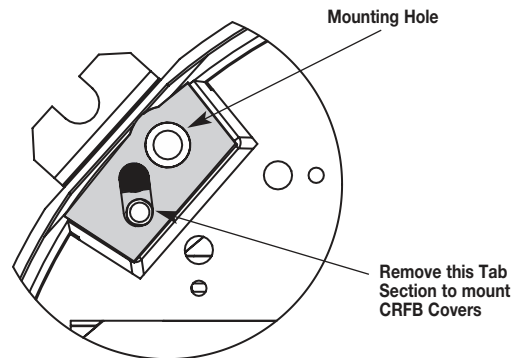
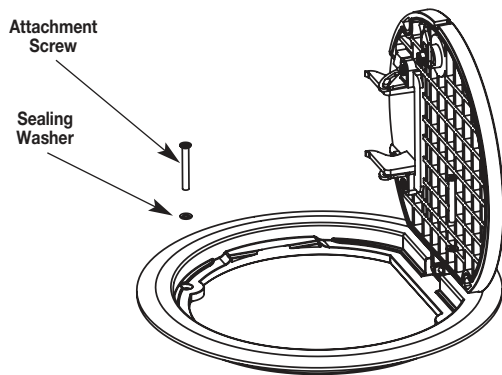
6. Install the floor covering prior to attaching the cover. For carpet installations, the temporary cover plate can be used as a template.



7. Attach cover to box. Remove the appropriate shelf pad tab, exposing the threaded attachment hole. Secure cover to box with screws provided.

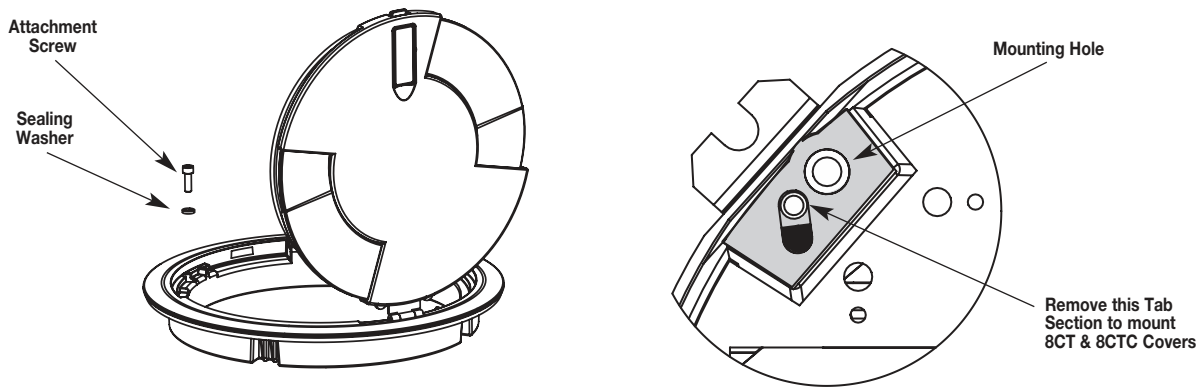


8. CRFBBTC and CRFBCTC COVERS: Open the lid and insert Cover Attachment Screws through Sealing Washers and attach Cover Flange to CRFB4 Box.



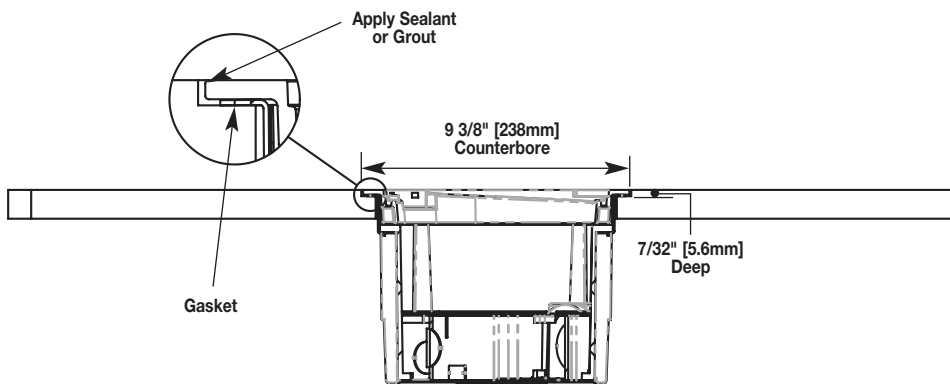
**CAUTION:** CRFB4 Floor Box has two sets of Cover Attachment Holes. Use the attachment holes furthest away from the mounting screw.

9. 8CT and 8CTC COVERS: Open the lid and insert Cover Attachment Screws through Sealing Washers and attach Cover Flange to CRFB4 Box.

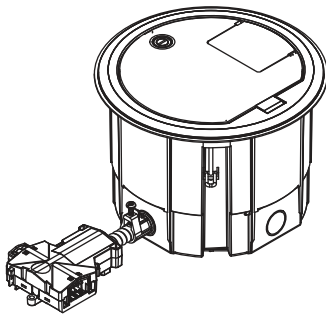


**CAUTION:** CRFB4 Floor Box has two sets of Cover Attachment Holes. Use the attachment holes closest to the mounting screw.

10. FOR 8CT FLUSH STYLE COVERS INSTALLED IN WOOD FLOORS: Create a pocket 9-3/8" diameter [283mm] x 7/32" [5.6mm] deep, concentric with mounting hole from step 1. Place gasket (supplied with cover) in counterbore and attach cover. Apply sealant between edge of hole and flange.

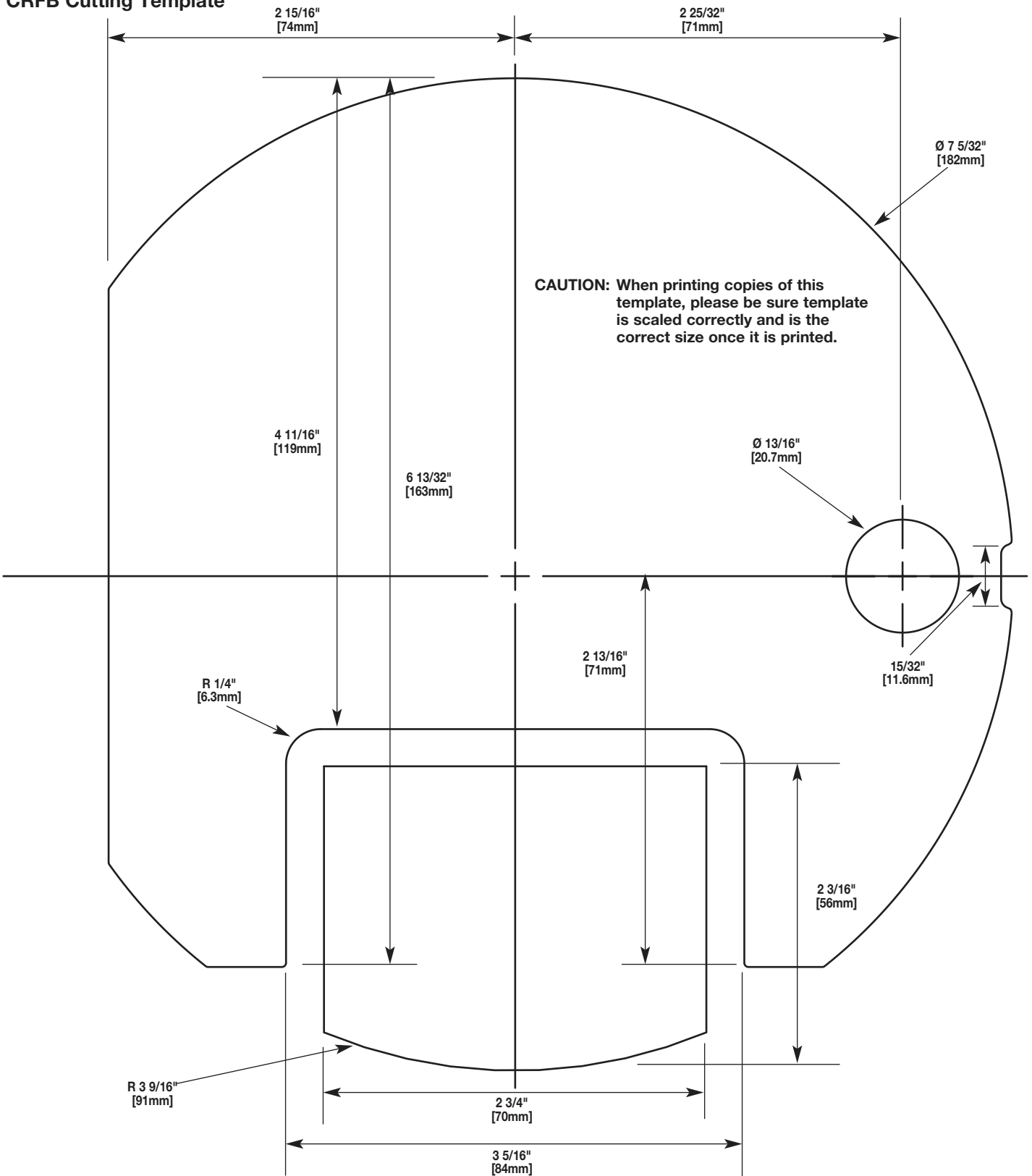


11. For factory wired CRFB4 access floor boxes, use Installation Instructions supplied with Walkerflex® Modular Wiring Systems.



**CAUTION:** Do not make or break connections while circuits are energized.

**CRFB Cutting Template**



**Wiremold**

**WIREMOLD**

**U.S. and International:**

60 Woodlawn Street • West Hartford, CT 06110  
 1-800-621-0049 • FAX 860-232-2062 • Outside U.S.: 860-233-6251

**Canada:**

570 Applewood Crescent • Vaughan, Ontario L4K 4B4  
 1-800-723-5175 • FAX 905-738-9721

